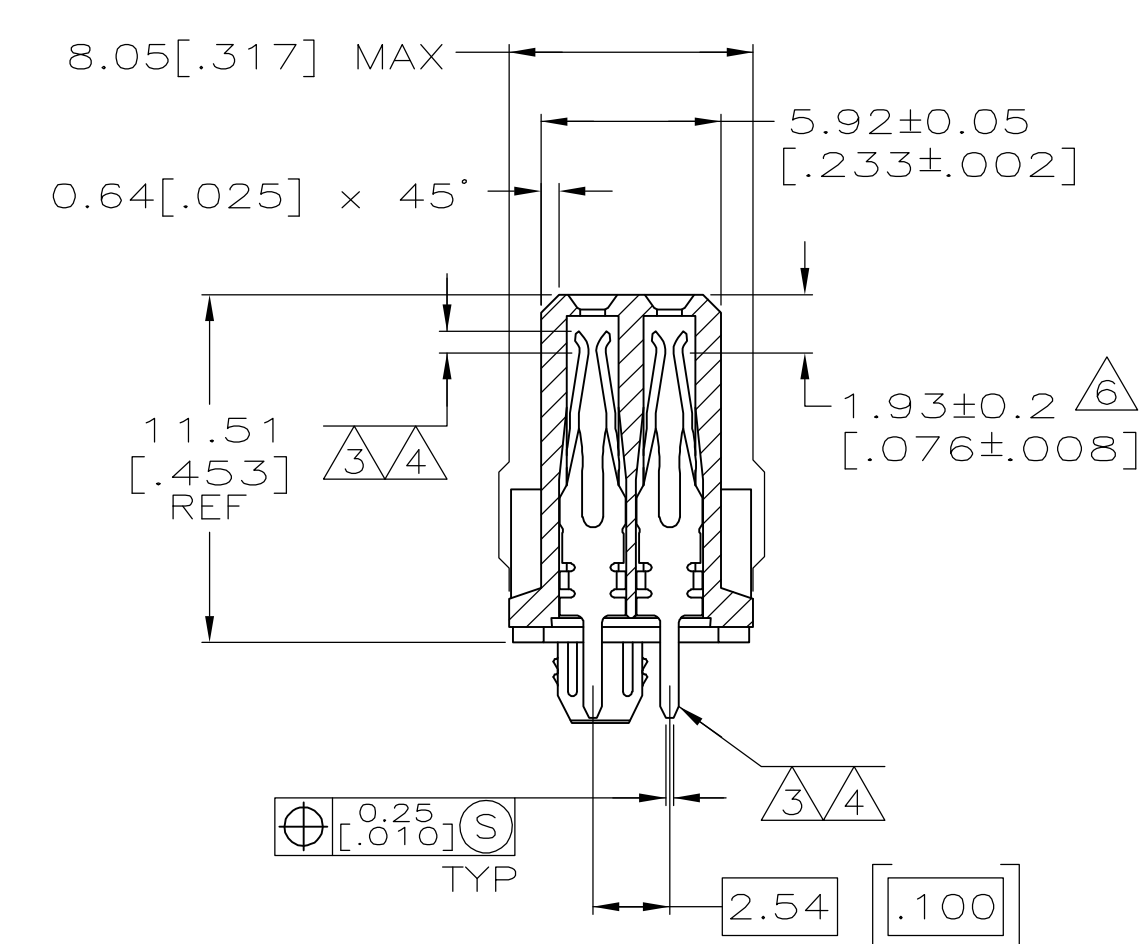
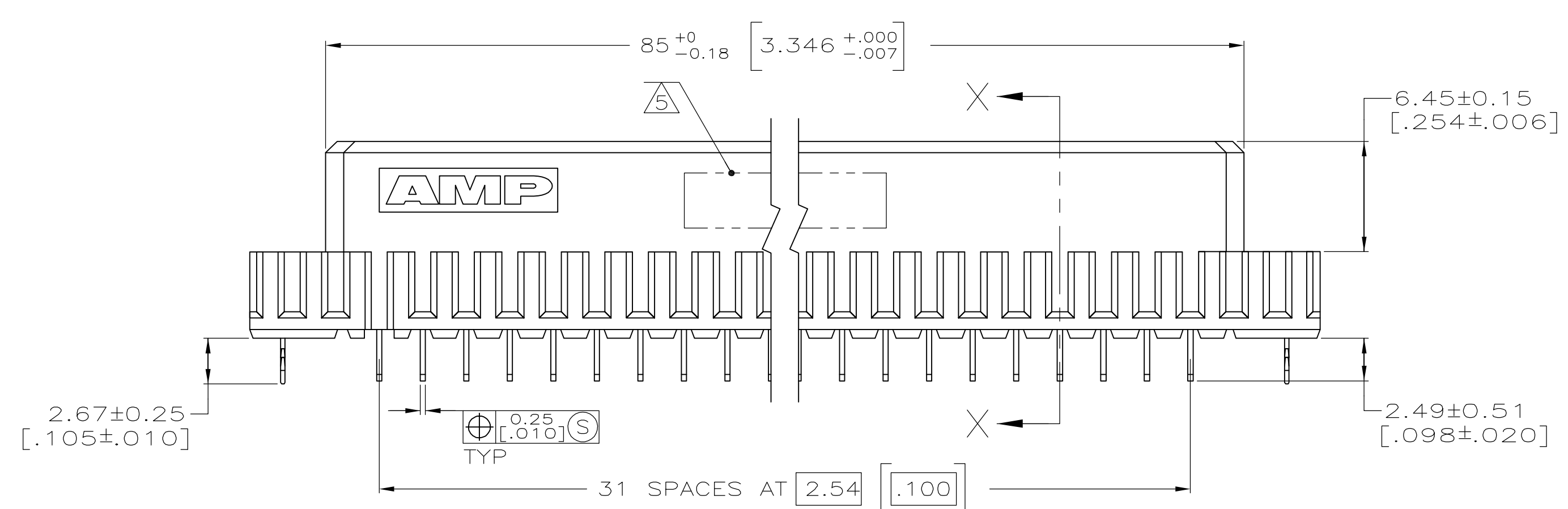
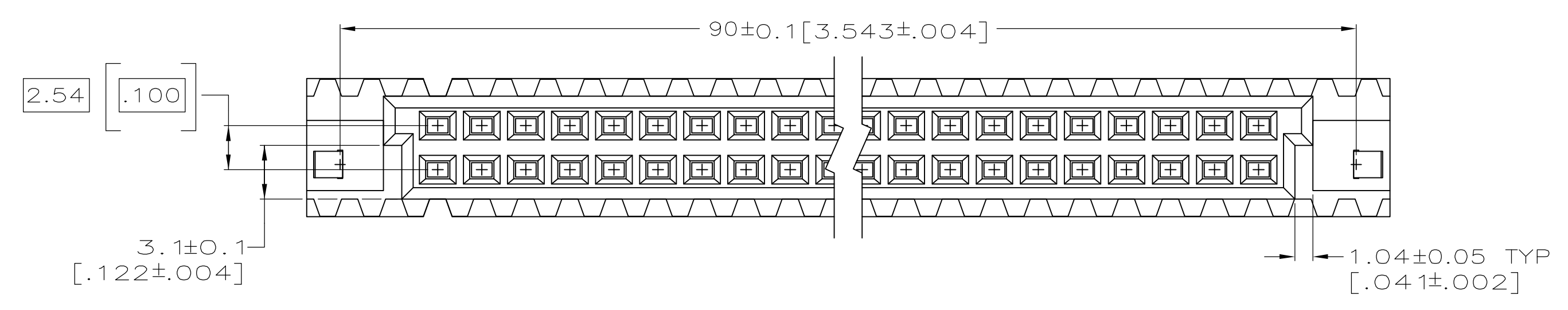
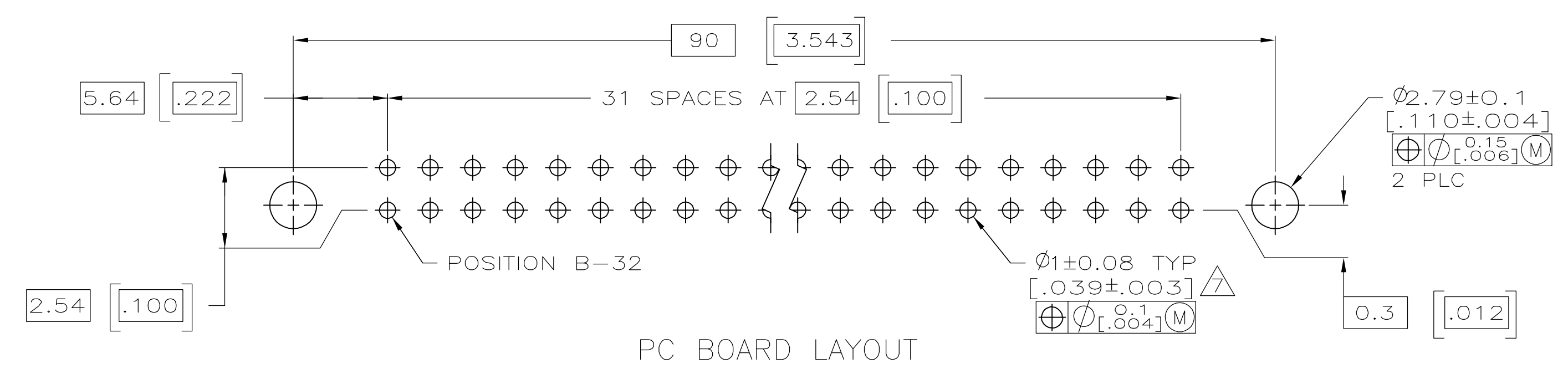
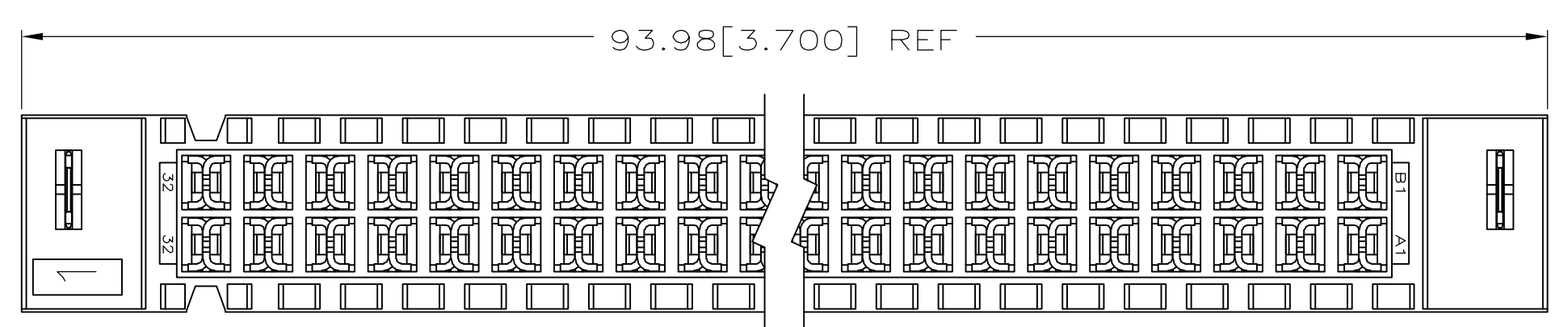


- ① HOUSING MATERIAL: GLASS-FILLED POLYESTER. COLOR: GRAY.
- ② CONTACT MATERIAL: PHOSPHOR BRONZE.
- ③ CONTACT FINISH: DIN 41612 CLASS 2 IN CONTACT AREA. TIN-LEAD ON POSTS.
- ④ CONTACT FINISH: DIN 41612 CLASS 3 IN CONTACT AREA. TIN-LEAD ON POSTS.
- ⑤ PART NUMBER, DATE CODE IDENTIFICATION, CSA LOGO IN THIS APPROXIMATE AREA ON OPPOSITE SIDE SHOWN.
- ⑥ CONTACT POINT.
- ⑦ RECOMMENDED HOLE SIZE FOR MANUAL APPLICATION OF CONNECTOR ONTO PC BOARD.



SECTION X-X



SUPERSEDED BY 536456-5	④	1-32	X	X	64	536456-9
OBSOLETE	③	1-32	X	X	64	536456-5
SUPERSEDED BY 536456-5	③	1-32	X	X	64	536456-4
		POSITIONS LOADED	B	A	NO. OF LOADED POSITIONS	ASSY PART NUMBER

THIS DRAWING IS A CONTROLLED DOCUMENT.		DWG L. BRINER 10/28/92	Tyco Electronics Corporation Harrisburg, PA 17105-3608	
DIMENSIONS: mm [INCHES]		CHK R. PATTERSON 12/11/92	NAME R. PATTERSON 12/11/92	
TOLERANCES UNLESS OTHERWISE SPECIFIED:		PRODUCT SPEC		
0 PLC	± -	APPLICATION SPEC		
1 PLC	± -	SIZE		
2 PLC	± -	CAGE CODE		
3 PLC	± 0.13 [.005]	DRAWING NO		
4 PLC	± -	RESTRICTED TO		
ANGLES	± -	A1 00779 C=536456		
MATERIAL	① ②	WEIGHT		
FINISH	③ ④	CUSTOMER DRAWING		
		SCALE 4:1		SHEET 1 OF 1